



Wood burning fires and stoves

2020



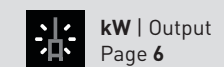
Lovers of the real wood fire

The name Dik Geurts has been synonymous with craftsmanship and design ever since the company was founded, and over the past 40 years it has become a household name in the fireplace world. Since 2007 Dik Geurts has been fully integrated in DRU Verwarming B.V., an innovative company that has guaranteed top quality for centuries.

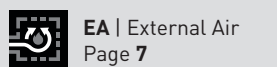
In addition to being designers, we at Dik Geurts are particularly fond of the real wood fire. In our factory in Duiven, The Netherlands, we work hard every day on the quality and ease of operation of our stoves and fires. With this brochure, we would like to show you how the combination of simplicity, experience and knowledge leads to beautiful fires and the most beautiful flames.

ENVIRONMENT Wood firing and aeration	4
WOOD STOVE TECHNOLOGY Ingenious technology, simple to use	8
DESIGN FIRES 2-Sided, Front and Tunnel	10
WOOD AND MULTI-FUEL STOVES 3-Sided and Front	26
INSERT AND BUILD IN FIRES 3-Sided, 2-Sided, Front and Tunnel	46
CENTRAL HEATING FIRES Front fireplaces	66
TECHNICAL DATA Dimensions, connection options and characteristics	68

Icons used



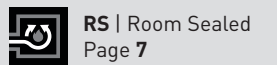
kW | Output
Page 6



EA | External Air
Page 7



IR | Infrared
Page 9



RS | Room Sealed
Page 7

Save on wood, fine dust and the environment

All wood burning stoves and fires in the Dik Geurts range have a particularly high efficiency. A higher temperature is reached in these closed and clever woodburners, and as a result combustion is much more complete and efficient. Even residual soot particles are fully burned, so you save on wood, emit less particulate matter and soot particles, and thus protect the environment.



EcoDesign & Defra

From 1 January 2022, European legislation sets requirements for the minimum efficiency of a stove and the maximum emission of particulate matter. All our fires and stoves already comply with this legislation and carry the EcoDesign 2022 label. Several Dik Geurts fires and stoves are also Defra approved for UK smoke controlled areas. These can be recognised by the quality mark.



Climate neutral

In principle, heating with wood is CO₂ neutral. During the growth phase of a tree, CO₂ is absorbed from the air. When the tree is cut down and burned, the same amount of CO₂ is released into the atmosphere. In order to be able to remain climate neutral, sustainably sourced wood must be used. Therefore a new tree is planted for every tree that is cut down. This process ensures everything remains nicely in balance.

Energy label

The Dik Geurts wood burning stoves are provided with an energy efficiency label. The greener the label, the better it is for the environment. Our stoves are all in the A-class or better.



The right way to burn

The best setup

With the so-called 'Swiss method' you can burn wood safely and cleanly. At the bottom of the stove you should place large logs, on top of which you should put small pieces of wood, and on top of those, firelighters. Replenish the heating space when all that is left is a glow bed. Place a number of logs with the cleft side down in the fire box and open the air supply.

The right wood

The fuel must be sufficiently dry and suitable as firewood. Good firewood has a moisture percentage of 15%-20%. You should never burn waste wood such as chipboard or old railway sleepers, or treated wood. The combustion of waste or treated wood can produce toxic fumes. As well as being unsafe, this is also very harmful to the environment.



Scan the QR code for an explanation video about burning wood.

The right output

The output of a wood burning fire or stove must match the space you want to heat. If you have a fire with too much output, the room will soon become too hot. You will then not be able to let the fire burn to its full capacity and this can cause odour nuisance or extra pollution of the chimney. If the power is too low, you run the risk that the fire will not heat the room enough. This is especially annoying when the fire has an important function in the heating of your home. Dik Geurts offers a wide range of stoves and fires for larger and smaller rooms. Because Dik Geurts fires can also be fired at low power (4 kW), they are extremely suitable for use in spring or autumn.



kW (Output, indicated in kilo Watt).

External air

Insulation of houses is improving more and more these days. To ensure that sufficient fresh air enters the house, ventilation systems are often installed. Depending on the situation in your home, you may need a specific type of connection (EA or RS) to feed air to the fire. The Dik Geurts EA fires can be fitted with an outside air connection. This way hardly any oxygen is taken out of your house. There are also RS fires with an outside air connection, which take the air for combustion almost completely from outside. These fires are ideal for very modern, airtight houses.



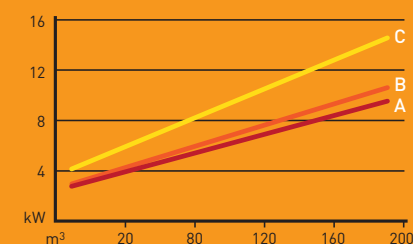
EA ('External Air'), used in neutral or overpressure situations. The vast majority of oxygen for combustion comes from outside.



RS ('Room Sealed'), used for underpressure in the living room. Oxygen for combustion comes almost entirely from outside.

Calculate output

Calculate the content of the space you want to heat (length x width x height). Next, it is important to make get an idea of the extent to which your house is insulated. For example, do you have double-glazing and wall and floor insulation everywhere? Then your home belongs to type A. Is your home not optimally insulated, without double-glazing in every window? Then your home belongs to type B. Is your home poorly insulated and with no double-glazing? Then your home belongs to type C. Knowing this you can see in the graph below what capacity (in kilowatts) is needed to heat your home.



Warm heart for Uganda

At Dik Geurts we care for the world around us, and human beings also deserve our attention. In our project 'A fireplace for you, a future for her', part of the proceeds from our fires is used to provide women in Uganda with a microcredit for a tree plantation.



Thoughtful
technique,
simple
to use



A Dik Geurts wood stove is not just a cabinet in which you can burn wood. It is a thoughtfully-designed device that ensures efficient and clean combustion at a high efficiency. Our fires and stoves have a closed combustion chamber (so no grate) that provides good insulation, and the flue gases that are released during combustion are led outside via an ingenious labyrinth.

Simple operation

Dik Geurts fires and stoves are easy to operate. They have a single lever to regulate the surprisingly sophisticated air supply. Thanks to this, Dik Geurts fires and stoves ignite very easily.

Infrared glass

At Dik Geurts we use infrared glass for a number of our fires and stoves to circulate the heat in the fire box. This gives a higher efficiency, retains the heat in the fire and as a result the glass stays clean much longer.



IR (Infrared)

Vermiculite

The combustion chambers of all Dik Geurts fires are insulated with heat-retaining vermiculite. For a nice contrast with the yellow flames, the vermiculite in the combustion chamber of our design fires is coloured dark anthracite.

Floor plates

For a complete set-up and extra protection of the floor, we offer round, rectangular and square floor plates. Finished in dark anthracite steel and available in different sizes.

A Dik Geurts wood stove always
has a high efficiency, low emissions
of CO₂ and fine dust and ultimate
fire control. Guaranteed.

Simple operation: just one lever



Optional floor plate



Design fires

The eye-catcher
for every interior

A design fire gives your home character and can be the beating heart of any interior. The Dik Geurts design fires can seem to float in space and at the same time form a natural unity with the rest of the room.

Page
12



ODIN

Front, Fixed
Front, Plateau
Front, Wall
Tunnel, Fixed
Tunnel, Plateau

Page
16



BORA CORNER

Cubes
Fixed
Floating Plateau
Straight Plateau
Wall

Page
20



BORA

Wall
Fixed
Console
Cover
Flex

Page
24



TORNADO

Straight
Oblique

Odin

Function and design go hand in hand perfectly

The unique, round design not only makes the Odin a real eye-catcher, but its shape also makes for a great flame picture.

- Faster warmth while environmentally friendly
- Unique round glass window
- Hanging, on a plateau or on the wall

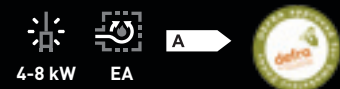
Odin Front, Fixed

Efficiency 75,2%
WxDxH 606x380x606 mm



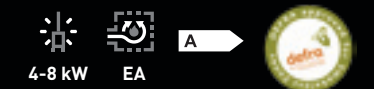
Odin Front, Wall

Efficiency 75,2%
WxDxH 606x415x606 mm



Odin Front, Plateau

Efficiency 75,2%
WxDxH 1600x380x842 mm



Scan the QR code for a preview



Ultimate fire experience with two-way visibility and warmth

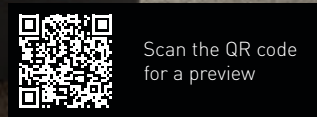
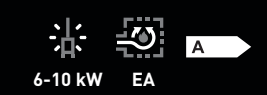
Odin Tunnel, Fixed

Efficiency 75,0%
WxDxH 606x400x606 mm



Odin Tunnel, Plateau

Efficiency 75,0%
WxDxH 1600x400x842 mm



Scan the QR code for a preview

Bora Corner

Robust cube with double-sided fire view

The two-sided glass window of the Bora Corner design fires gives a beautiful fire view. Hanging in the room or standing on a plateau, the Bora provides warmth and atmosphere throughout the area.

- Choose a left or right version
- Design fireplace for any position in the house
- Wide output range, optimally adjustable



Bora Corner, Fixed

Efficiency 78,1 %
WxDxH 505 x 410 x 510 mm



Bora Corner, Cubes
Efficiency 78,1 %
WxDxH 625 x 577 x 1030 mm



Bora Corner, Floating Plateau
Efficiency 78,1 %
WxDxH 1200 x 450 x 829 mm





Scan the QR code for a preview

Bora Corner, Straight Plateau

Efficiency 78,1 %
WxDxH 1500x450x879 mm

4-9 kW IR EA RS A



Plateau for wood storage is available in different sizes



Bora Corner, Wall

Efficiency 78,1 %
WxDxH 505x448x510 mm

4-9 kW IR EA RS A

Bora

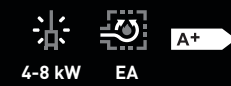
Robust cube with atmosphere

The Bora range provides a beautiful square fire view. Wall-mounted or hanging in the room, with or without canopy, the Bora adds a solid design in every room.

- Available in 5 options to fit any position
- Hanging fires can be rotated for 360 views (optional)
- Integrated door handle and air slide

Bora Wall

Efficiency 84,0%
WxDxH 510x470x510 mm

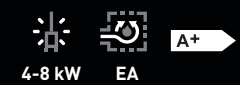


installation idea



Bora Fixed

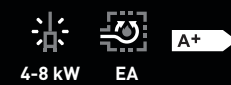
Efficiency 84,0%
WxDxH 510x450x510 mm





Bora Console

Efficiency 84,0 %
WxDxH 510x468x510mm

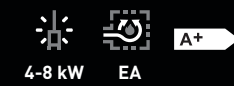


4-8 kW EA



Bora Flex

Efficiency 84,0 %
WxDxH 510x450x510mm

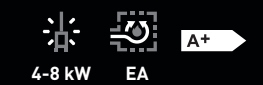


4-8 kW EA

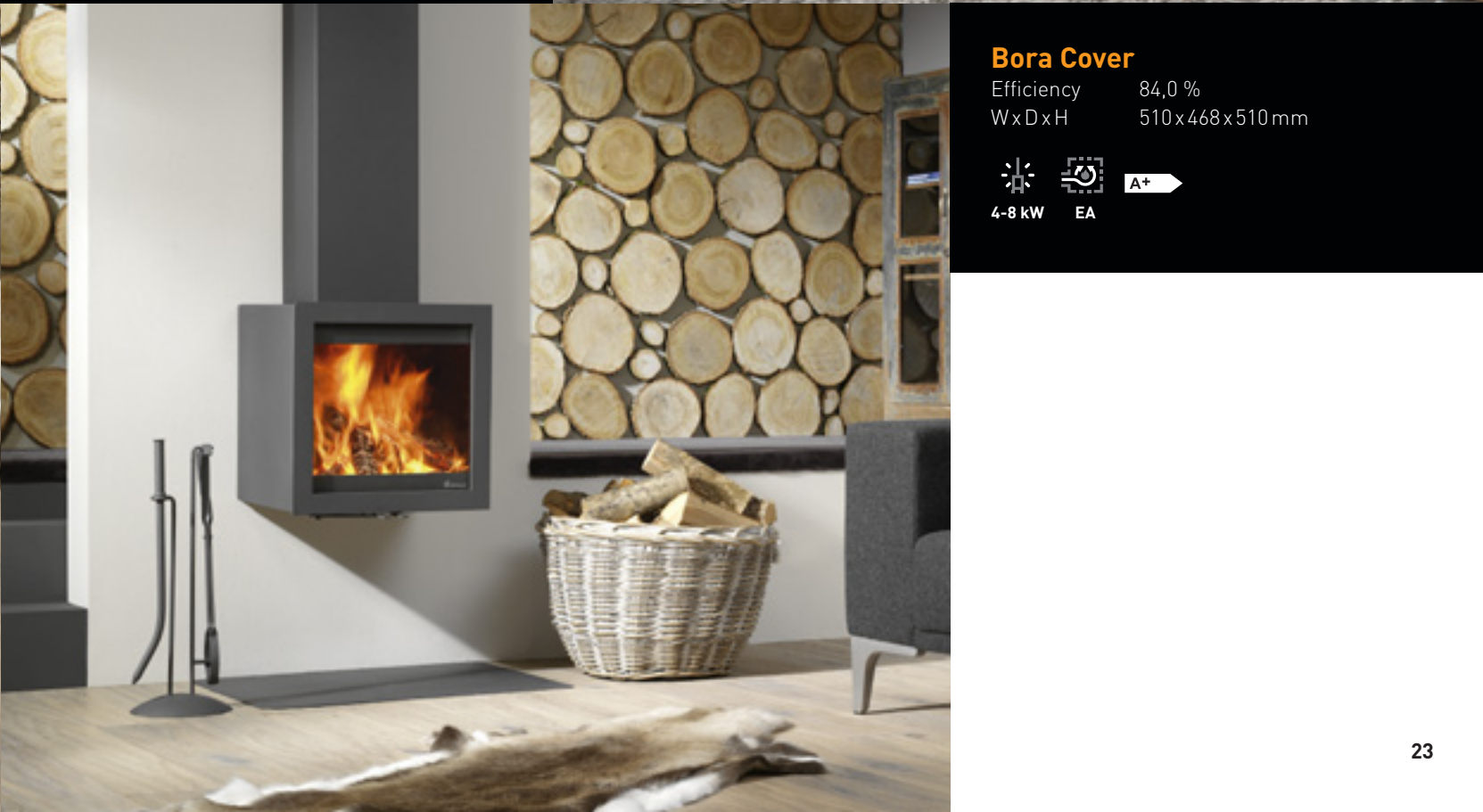


Bora Cover

Efficiency 84,0 %
WxDxH 510x468x510mm



4-8 kW EA



Tornado

Design your flue in any colour

With a side glass pane the Tornado fires provide an additional view of the log fire. Next, the custom made flue cover, straight or slanting is available in every RAL colour to match your interior perfectly.

- Custom made flue cover included upon request
- Available in left and right side glass versions
- Designed by Kees Marcelis

Tornado Straight

Efficiency 84,0%
WxDxH 544x465x510 mm



4-8 kW



Tornado Oblique

Efficiency 84,0%
WxDxH 544 x 465 x 510 mm



4-8 kW



Wood and multi-fuel stoves

Highlight of atmosphere and warmth

A long gaze into dancing flames, the cosy sound of a real crackling fire and the warmth from a natural source. With a Dik Geurts wood fire you bring the old-fashioned cosiness of a campfire to your living room.

<p>Page 28</p>  <p>VIDAR Triple Wall</p>	<p>Page 30</p>  <p>KALLE</p>	<p>Page 31</p>  <p>FOLKE</p>	<p>Page 32</p>  <p>MODIVAR 5 Store Front Store Corner Floating Plateau Straight Plateau</p>
<p>Page 36</p>  <p>ASTE 5</p>	<p>Page 37</p>  <p>LARS 1000</p>	<p>Page 38</p>  <p>IVAR 5, Low 5, High 5, Store 8, Low 8, Store</p>	<p>Page 44</p>  <p>JANNIK Medium, Low Medium, High Large</p>

Vidar

Great flame picture and very high efficiency

The Vidar stoves are equipped with heat-reflecting infrared glass that provides a remarkably high efficiency of 88% and clean windows during firing. Combine that with a huge window surface and you are guaranteed to have a great view of the flames.

- High efficiency stove (88%)
- Heat reflective infrared (IR) glass
- Thanks to wide output range also suitable for smaller living rooms



Vidar Triple

Efficiency 88,0%
WxDxH 662x410x850 mm



Vidar Wall

Efficiency 88,0%
WxDxH 662 x 430 x 535 mm



Scan the QR code for a preview

Kalle

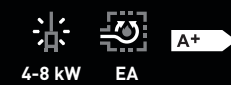
Extra large windows for optimum fire view

The Kalle is an industrial wood burning stove with a handy wood compartment under the fire box. The three large windows provide a magnificent view of the flames.

- Tight freestanding wood burning stove with wood storage
- Fire view from three sides
- Economical in use due to very high efficiency (85%)



Kalle
Efficiency 85,0%
WxDxH 546x415x1000 mm



4-8 kW EA

Folke



Folke
Efficiency 77,3%
WxDxH 476 x 410 x 1000 mm



4-8 kW IR EA RS

Thanks to the Folke's three-sided fire view, you can enjoy the lively flames even more. The wood compartment underneath the fire box gives this stove a rustic and atmospheric look, even when the stove is not burning.

- Unique air slide
- Heat reflective (infrared) side windows
- Suitable for mechanically ventilated and passive houses

Atmospheric, even when the stove is not burning

Modivar 5

Tight shapes and ultimate fire control

Thanks to their sleek shapes and dark steel, Modivar stoves are ideal for a modern interior. If you are looking for something really special then a floating plateau is worth it.

- Ultimate fire control thanks to simple air slide
- Integrated door handle
- Choice of wood compartments and plateaus

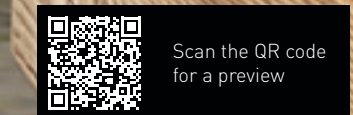
Modivar 5, Floating Plateau

Efficiency 82,0%
WxDxH 1200x450x857 mm



Modivar 5, Store Front

Efficiency 82,0%
WxDxH 450x368x1000 mm





Modivar 5, Store Corner

Efficiency 82,0%
WxDxH 450x368x1000 mm



Modivar 5, Straight Plateau

Efficiency 82,0%
WxDxH 1500x450x907 mm



Scan the QR code for a preview

Aste 5

Woodburning stove with rural countryside look

The compact Aste wood burning stove has a classic look thanks to its beautifully designed legs and a sturdy cast iron door.

- Classic look
- Cast iron door
- Low particulate emissions thanks to high-quality combustion



Aste 5
Efficiency 82,0%
WxDxH 486x350x555 mm
Available with multi-fuel kit.



Scan the QR code for a preview

Lars 1000



Scan the QR code for a preview

Atmosphere, heat and slow-cooking

Above the glass window of the Lars 1000 wood burning stove there is a room that can be used as an oven. This stove offers atmosphere, warmth and also the possibility to prepare simple dishes.

- Unique oven at the top of the stove
- High efficiency
- Low particulate emissions thanks to high-quality combustion

Lars 1000
Efficiency 82,0%
WxDxH 448x348x1000 mm



Ivar 5


Versatile source of atmosphere for the real enthusiast

The Ivar series is recognisable by the sleek cast iron door that offers a full view of the flames. Ivar stoves combine a compact and stylish appearance with the technically advanced combustion process for which Dik Geurts is known.

- Removable 'cold' handle
- Suitable for installation in existing spaces
- Wide output range & extremely low emissions



Ivar 5, Low
Efficiency 82,0%
WxDxH 450x350x555 mm
Available with multi-fuel kit.

4,9-7 kW EA RS A+ 



Ivar 5, High

Efficiency 82,0%
 WxDxH 450x350x660 mm
 Available with multi-fuel kit.



Ivar 5, Store

Efficiency 82,0%
 WxDxH 450x350x850 mm
 Available with multi-fuel kit.



Cast iron door with
 removable handle

Ivar 8



Ivar 8, Low

Efficiency 76,6%
WxDxH 540x350x555 mm
Available with multi-fuel kit.



Ivar 8, Store

Efficiency 76,6%
WxDxH 540x350x850 mm
Available with multi-fuel kit.



Large glass window with wide view of the fire



Scan the QR code for a preview

Jannik

Strikingly beautiful details, typically Dik Geurts

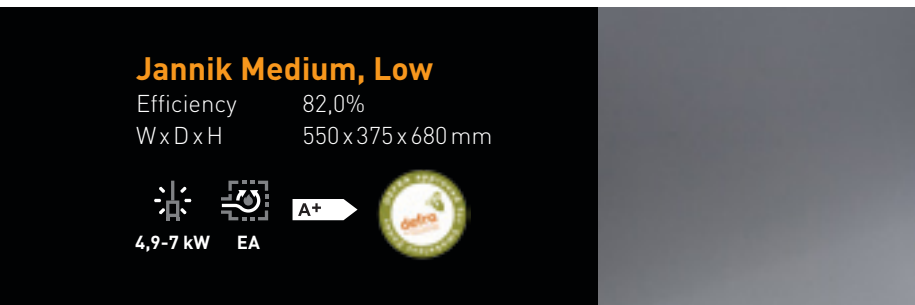
With the stoves in the Jannik series you recognise the robust details that are typical for the designs of Dik Geurts. Clean lines, sturdy hinges and a unique, slim handle. This handle provides easy access to the inside of the stove.

- Unique handle
- Wide power range
- Economical firing due to high efficiency of 87%



Jannik Medium, High

Efficiency 82,0%
WxDxH 550x375x900mm



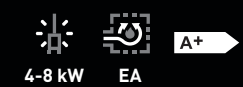
Jannik Medium, Low

Efficiency 82,0%
WxDxH 550x375x680mm



Jannik Large

Efficiency 87,0%
WxDxH 620x380x780 mm



Inserts and build in fires

More atmosphere,
more efficiency,
fewer emissions

Inserts are designed for installation in an existing situation. When converting or renovating, an old fire can be replaced easily by a modern and environmentally friendly fire with a higher output. Build in fires are placed predominantly in new situations.

Page 50



INSTYLE
Triple 660 Low

Page 51



INSTYLE
Tunnel 700

Page 51



PROSTYLE
Tunnel 700

Page 52



INSTYLE
Corner 660 High
Corner 660 Low
Corner Slim 660/495

Page 56



INSTYLE
500
550
600
650
700
800
1000

Page 58



PROSTYLE
500
550
600
650
700
800
1000

Page 60



VISION
80
100

Page 62



INSTYLE/PROSTYLE
600V
700V
800V
1000V

Instyle & Prostyle

Inserts and build in fires for every interior

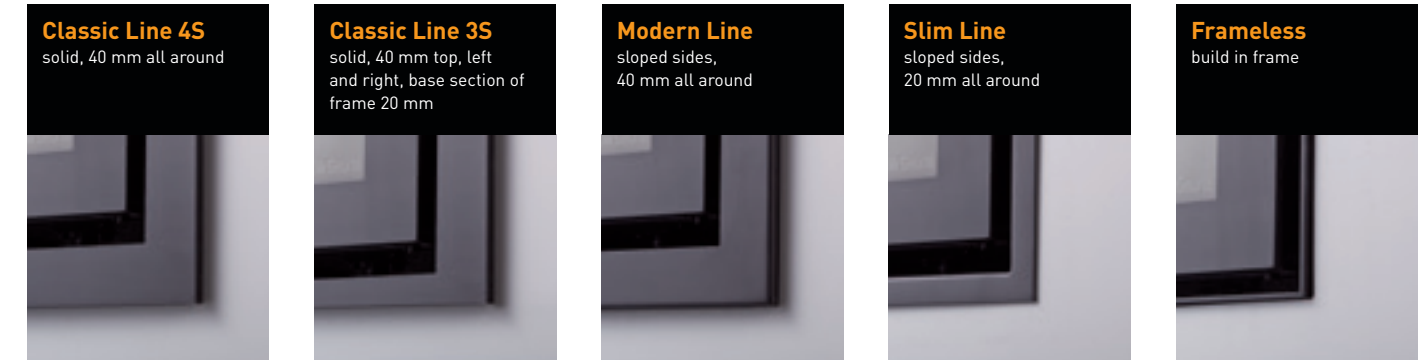
Dik Geurts has a wide range of inserts and build in fires. Tunnel fires, 3-sided fires, fires with an extra large glass window and different kinds of frames; we have a suitable fire for every interior.

The Instyle fires have a completely clear glass window. The Prostyle range with screen-printed glass are made for an even more beautiful view of the fire.



Frames for front and tunnel fires

Instyle and Prostyle 500, 550, 600, 650, 700, 800, 1000, Tunnel



Frame type	Instyle/Prostyle							
		500	550	600	650	700-Tunnel ¹⁾	800	1000
Classic Line 4S	WxH	580 x 537	587 x 617	660 x 537	710 x 552	760 x 657	860 x 637	1060 x 637
Classic Line 3S	WxH	580 x 517	n/a	660 x 517	710 x 532	n/a	n/a	n/a
Modern Line	WxH	580 x 537	587 x 617	660 x 537	710 x 552	760 x 657	860 x 637	1060 x 637
Slim Line	WxH	540 x 497	547 x 577	620 x 497	670 x 512	720 x 617	820 x 597	1020 x 597
Build in 3 mm	WxH	600 x 557	607 x 637	680 x 557	730 x 572	780 x 677	880 x 657	1080 x 657
Build in 8 mm	WxH	n/a	n/a	600x477	650x492	700x597	n/a	n/a

¹⁾ Frames on the Tunnel can be combined.



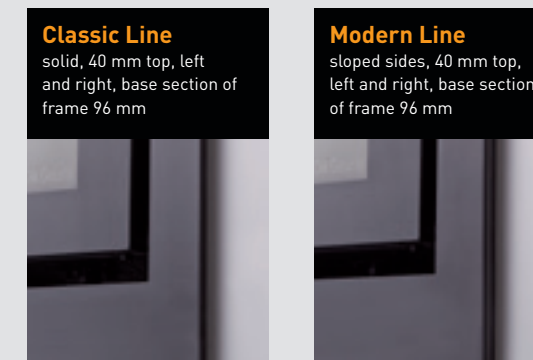
Instyle
Clear glass window



Prostyle
Black screen-printed glass

Frames for fires with fans

600V, 700V, 800V, 1000V



Frame type	Instyle/Prostyle V				
		600V	700V	800V	1000V
Classic Line	WxH	660 x 649	760 x 769	860 x 749	1060 x 749
Modern Line	WxH	660 x 649	760 x 769	860 x 749	1060 x 749

Custom-made solutions

The Dik Geurts product options are extensive. Yet it may be that nothing fits. The opening is too high, deep or indeed too shallow. But, there is a solution! We can produce a custom-made insert fire for you at a small additional charge. Sometimes all that's needed is a small modification to the frame. The custom-made fires are available in front, corner, triple and tunnel models.

Operating procedure

Your Dik Geurts dealer will take all the necessary measurements and will complete the special custom-made form. We will then draw the fire as per the requested dimensions. Once this has been verified, we commence production of your custom-made fire. Delivery time on average is 4-6 weeks.

Custom-made insert fires

Instyle Front 500-1000 range, Corner 660 Low/High, Triple 660 Low, Tunnel 700.

- Max. 10% deviation
- Classic Line frame 4S included

Custom-made frames

Instyle/Prostyle Front 500-1000 range, Tunnel 700.

- Solid frames Classic Line 4S
- Width 12-100 mm

Triple

Three sided glass and three sided fire

To ensure the highest possible efficiency, this insert is fitted with side windows with heat-reflecting infrared glass. This fire is only 49.5 cm high and therefore ideal for installation in most existing fireplaces.

- High efficiency and clean windows
- Subtle corner bars for better fire vision
- Suitable for installation in existing situation

Instyle Triple 660 Low

Efficiency 88,0%
WxDxH 662x380x495 mm

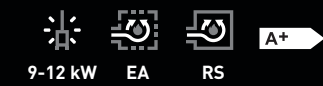


Tunnel



Instyle Tunnel 700

Efficiency 83,0%
WxDxH 760x550x657 mm



The see-through Instyle Tunnel 700 fire has a hinged glass door on two sides. Thanks to its high output, this fire is ideal as a room divider in larger rooms.

- Beautiful see-through tunnel
- High output up to 12 kW
- In RS version almost completely airtight

Splendid fire from two sides

Prostyle Tunnel 700

Efficiency 83,0%
WxDxH 760x554x657 mm



Corner

Unique panoramic fire view

This two-sided wood burning stove is unique in the market due to its panoramic fire view. The glass panes are placed against one another in the corner. This continuous glass window, without a metal corner post between the two panes, provides a full view of the fire.

- Optimal view of the fire
- High efficiency (75,2%)
- Perfect for an existing chimney or new construction



Instyle Corner Slim 660/495

Efficiency 75,2%
WxDxH 660x350x495mm

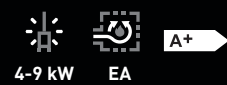


Scan the QR code for a preview

Spacious
insert
with wide
fire view

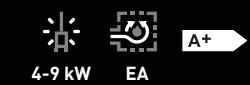
Instyle Corner 660 High

Efficiency 83,0%
WxDxH 660x350x520 mm



Instyle Corner 660 Low

Efficiency 83,0%
WxDxH 660x350x495 mm



Front



Instyle 550

Specially designed
for existing
situations

The Instyle/Prostyle series consists of a number of models with different sizes, all using the same modern Dik Geurts techniques. With an Instyle you are assured of optimal enjoyment of a quality fire.

- Environmentally conscious enjoyment of fire
- Multi-purpose insert and build in fires
- Different styles of detachable frames
- Choice of different frame types

Instyle 500 Efficiency 82,0% WxDxH 580x350x537mm		Instyle 550 Efficiency 81,0% WxDxH 587x350x617mm		Instyle 600 Efficiency 79,6% WxDxH 660x360x537mm		Instyle 650 Efficiency 80,5% WxDxH 710x380x552mm	
  		  		  		  	
							
Instyle 700 Efficiency 81,6% WxDxH 760x400x657mm		Instyle 800 Efficiency 76,6% WxDxH 860x400x637mm		Instyle 1000 Efficiency 77,7% WxDxH 1060x400x637mm			
  		  		  			
							

Front

Beautiful fire view
thanks to screen-printed
glass

Prostyle 500 Efficiency 82,0% WxDxH 580x344x537 mm 3-7 kW EA A+	Prostyle 550 Efficiency 81,0% WxDxH 587x344x617 mm 3-7 kW EA A+	Prostyle 600 Efficiency 79,6% WxDxH 660x354x537 mm 3-7 kW EA A	Prostyle 650 Efficiency 80,5% WxDxH 710x374x552 mm 3-9 kW EA A+
			
Prostyle 700 Efficiency 81,6% WxDxH 760x394x657 mm 6-12 kW EA A+	Prostyle 800 Efficiency 76,6% WxDxH 860x394x637 mm 8-12 kW EA A	Prostyle 1000 Efficiency 77,7% WxDxH 1060x394x637 mm 9-13 kW EA A	
			

Prostyle 1000



Vision

The Vision fires are characterised by their windscreen design and the panoramic view this gives of the fire. Moreover, it is a compact, build in wood fire with a slim depth of just 33 cms. The door comprises a screen-printed glass panel.

- Build in fire including build in frame
- Upper chimney and convection connection
- Panoramic fire view



Vision 80

Efficiency 84,6%
WxDxH 930x330x580 mm



6-9 kW

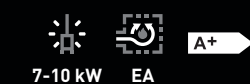
EA



Panoramic view
of the flames

Vision 100

Efficiency 84,6%
W x D x H 1130 x 330 x 580 mm



7-10 kW

EA



Scan the QR code
for a preview

Ventilated



Prostyle 700V

Fire insert with ventilating fan

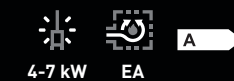
These ventilated inserts are equipped with a ventilating fan, which heats a room faster. When switched on, a pleasant, warm airflow can be felt from the front of the fire or through the convection openings.

- Rapid heat dispersion
- Manual or automatic operation
- Different types of detachable frames



Instyle 600V

Efficiency 79,6%
WxDxH 660x385x649 mm

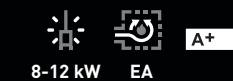


4-7 kW EA



Instyle 700V

Efficiency 81,9%
WxDxH 760x425x769 mm

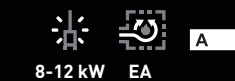


8-12 kW EA



Instyle 800V

Efficiency 76,6%
WxDxH 860x425x749 mm



8-12 kW EA



Instyle 1000V

Efficiency 77,7%
WxDxH 1060x425x749 mm

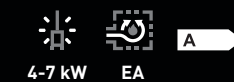


9-13 kW EA



Prostyle 600V

Efficiency 79,6%
WxDxH 660x379x649 mm

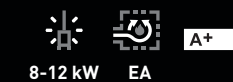


4-7 kW EA



Prostyle 700V

Efficiency 81,9%
WxDxH 760x419x769 mm



8-12 kW EA



Prostyle 800V

Efficiency 76,6%
WxDxH 860x419x749 mm

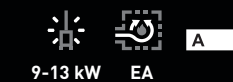


8-12 kW EA



Prostyle 1000V

Efficiency 77,7%
WxDxH 1060x419x749 mm



9-13 kW EA



Easy installation of the Instyle and Prostyle fires

The various connection options ensure that the stove is quick and easy to install, regardless of the installation situation. There are four options for flue gas extraction, for exact dimensions see page 73.

1. Connection without drain material to an existing chimney flue (sealing with ceramic wool)
2. Connection with flexible or fixed pipe (**Liner Kit Pro**), Ø 150 or 180 mm
3. Connection with rejuvenated pipe (**connection piece**), Ø 150 or 180 mm

External air kit

Kit for supply of fresh air from outside.

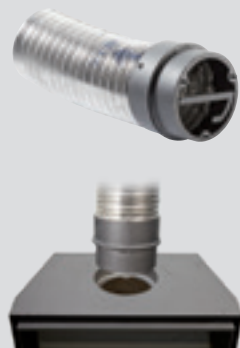
- Ideal for fully insulated houses
- Optional at 500
- 1000V, 600V - 1000V, Tunnel (only base)
- For rear and base connection
- Dimensions: Ø 80 mm



Linerkit Pro

Connection piece for flexible or rigid pipe.

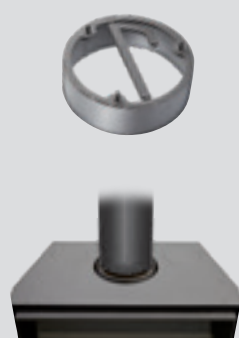
- Optional with: 500 - 1000, 600V - 1000V, Corner, Triple, Tunnel
- Connectable from the inside of the fire
- Reducer with 3 screw holes
- Dimensions: Ø 150 mm, Ø 180 mm



Connection piece

Connection piece for rejuvenated pipe.

- Optional at: 500 - 1000, 600V - 1000V, Corner, Triple, Tunnel
- Reducer with 3 screw holes
- Dimensions: Ø 150 mm, Ø 180 mm



Convection kit

Connecting rings (2 pieces) for mounting on the convection holes.

- Optional with: 500 - 1000, 600V - 1000V, Tunnel
- For more heating power
- Dimensions: Ø 125 mm



Easy air control

- At the front of the fire
- Both Instyle and Prostyle finishes

Door lock

- Stable and flexible door closure
- The cord ensures a good seal
- The door is adjustable and exchangeable
- Kit for self-closing door optional for Instyle 500-1000 series and Instyle Tunnel



Central heating fires

Sustainable and energy-conscious wood burning

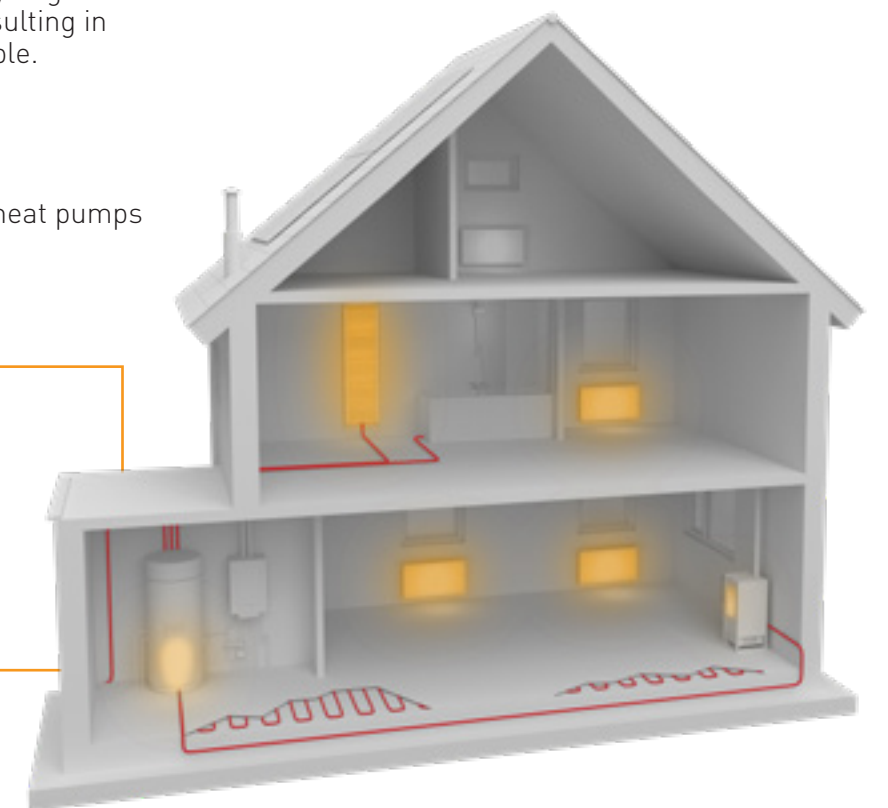
Green Design stands for sustainable, environmentally friendly and energy-conscious heating of fires and stoves connected to a central heating system.

Dik Geurts also supplies fires that you can connect to a central heating system, an environmentally friendly alternative way to heat your home. With these fires the hot flue gases are used to heat the water for your central heating system. Doing this means you get more efficiency from your fire or stove, resulting in a lower energy bill – and it's also sustainable.

- Environmentally friendly heating
- Durable/lower energy usage
- Suitable for any type of home
- Can be combined with solar panels and heat pumps
- Lower energy bill
- Maintenance friendly

More info

If you want to know more about Green Design or the operation of central heating fireplaces, go to www.drufire.com. There you can also download a special Green Design brochure.



FORTE H2O

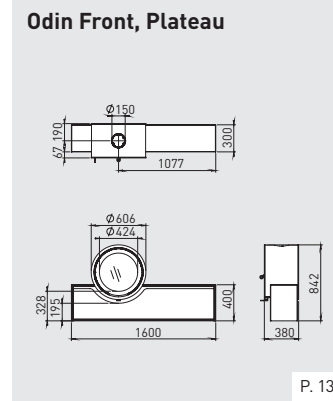
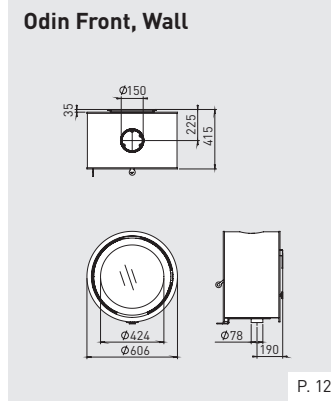
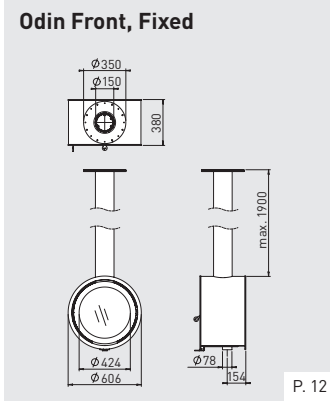


STORE H2O

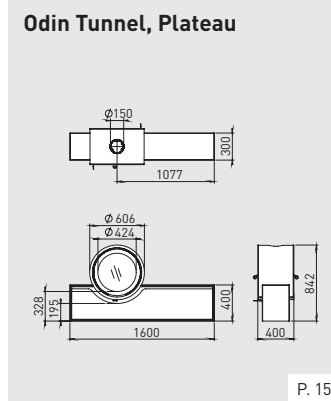
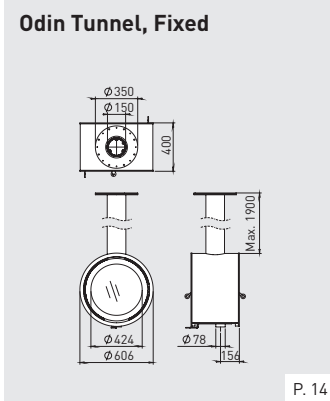
Technical drawings

DESIGN FIRES

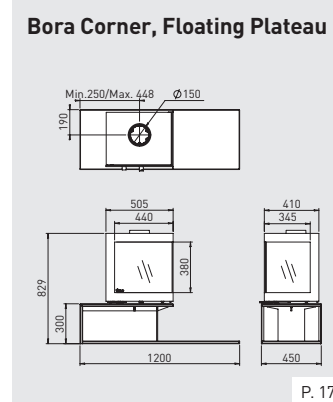
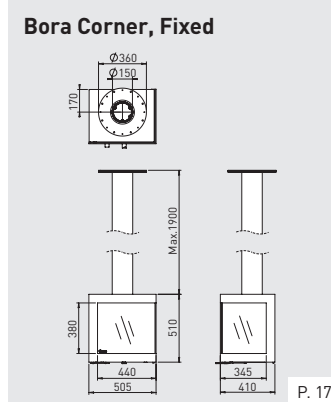
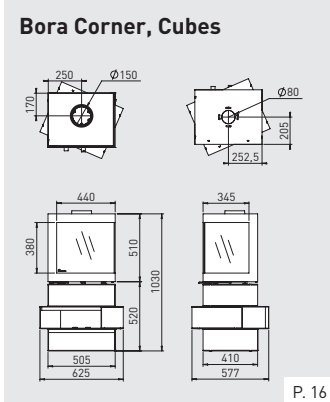
Odin Front



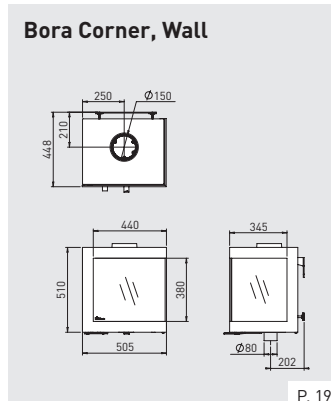
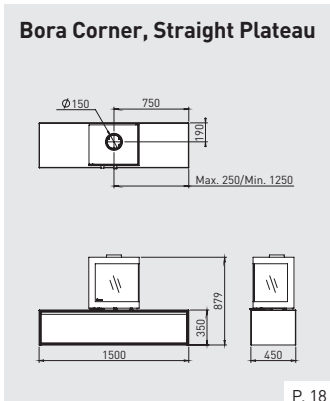
Odin Tunnel



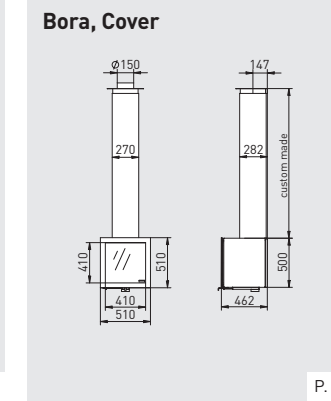
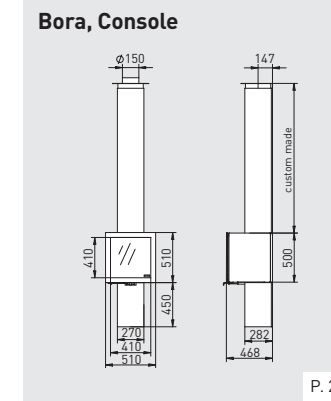
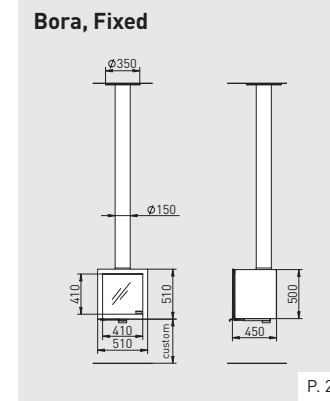
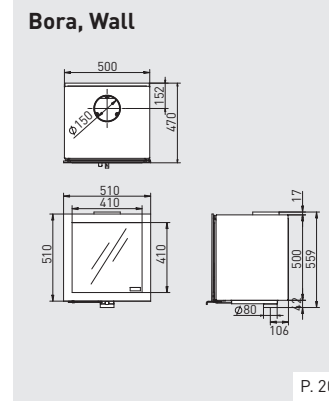
Bora Corner



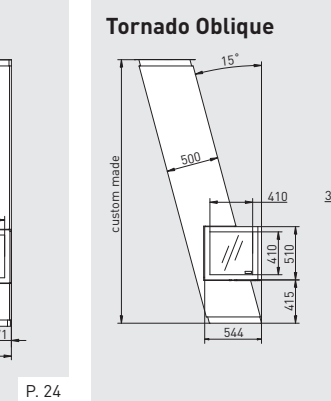
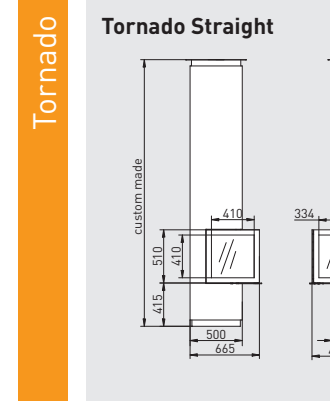
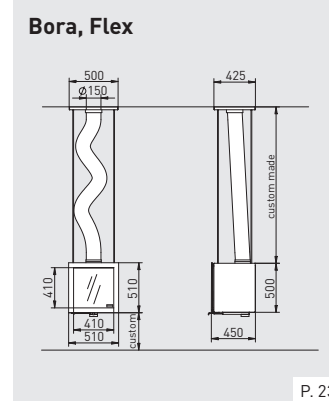
Bora Corner



Bora

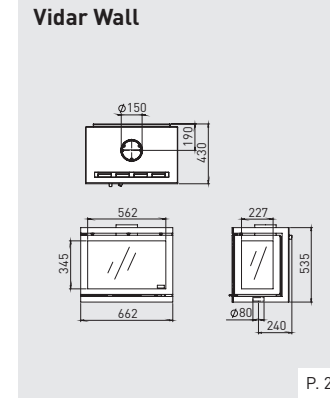
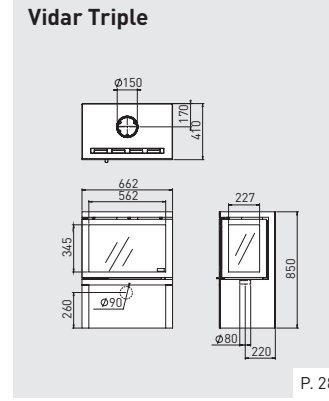


Bora

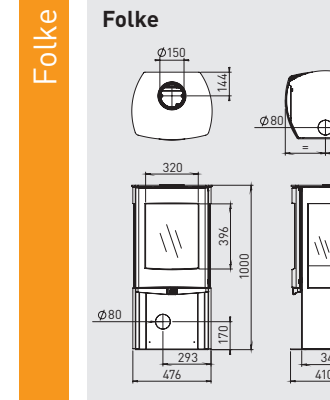
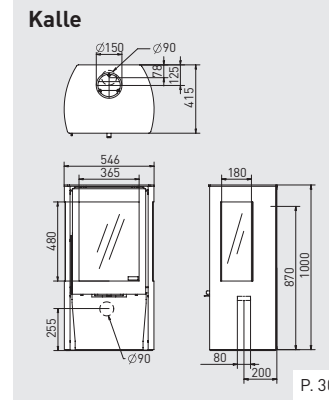


WOOD AND MULTI-FUEL STOVES

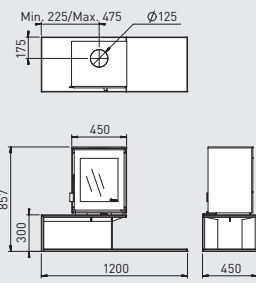
Vidar



Kalle

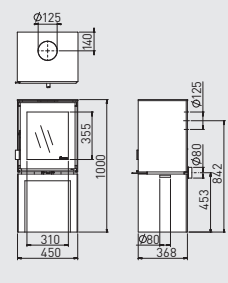


Modivar 5, Floating Plateau



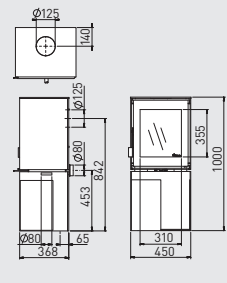
P. 32

Modivar 5, Store Front



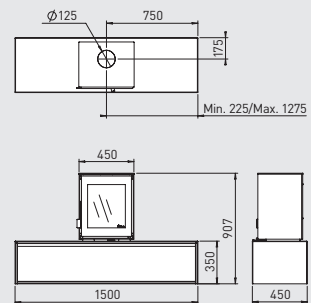
P. 33

Modivar 5, Store Corner



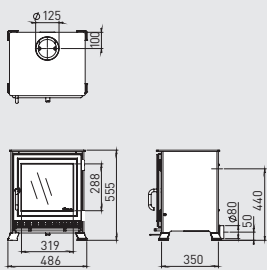
P. 34

Modivar 5, Straight Plateau



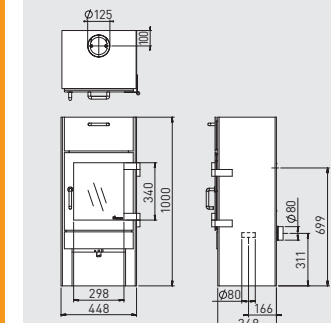
P. 35

Aste 5



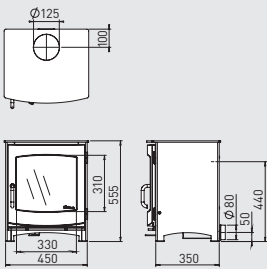
P. 36

Lars 1000



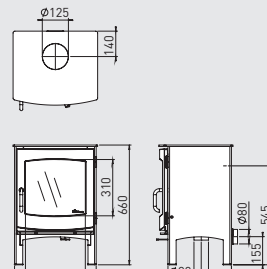
P. 37

Ivar 5, Low



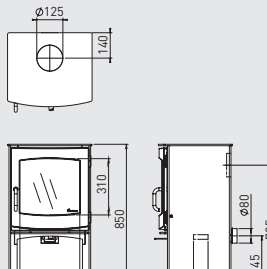
P. 38

Ivar 5, High



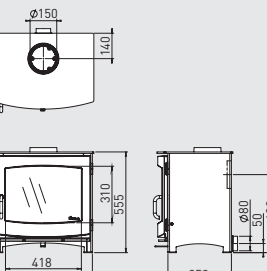
P. 40

Ivar 5, Store



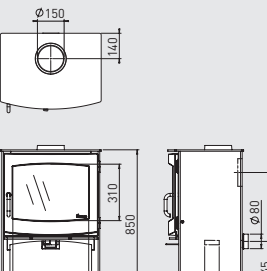
P. 41

Ivar 8, Low



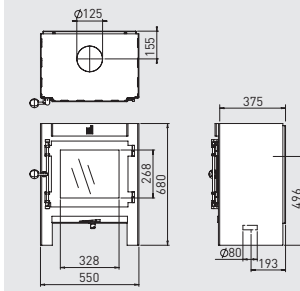
P. 42

Ivar 8, Store



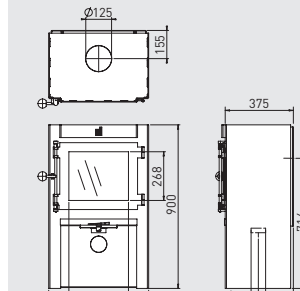
P. 43

Jannik Medium, Low



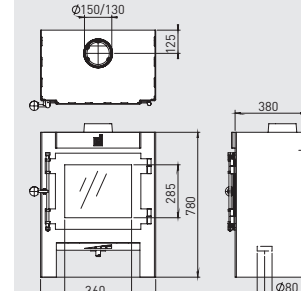
P. 44

Jannik Medium, High



P. 44

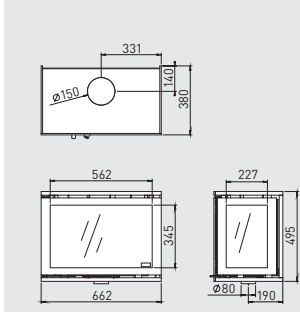
Jannik Large



P. 45

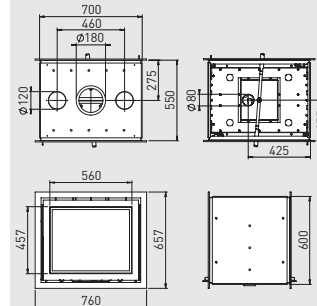
INSERT-/BUILD IN FIRES INSTYLE

Instyle Triple 660 Low



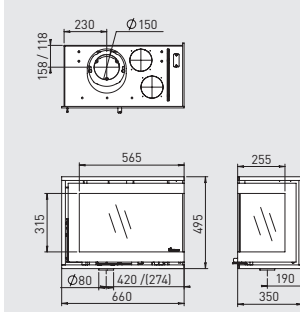
P. 50

Instyle Tunnel 700 + Classic Line frame 4S



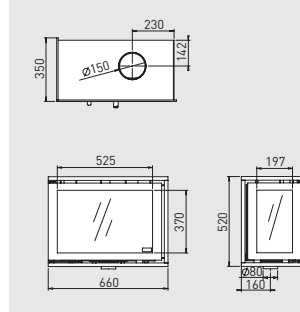
P. 51

Instyle Corner Slim 660/495



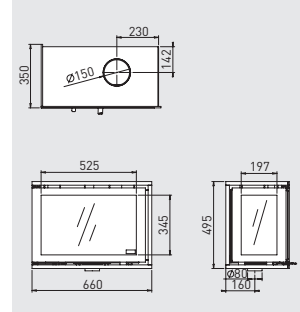
P. 53

Instyle Corner 660 High



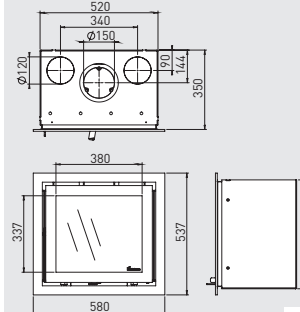
P. 54

Instyle Corner 660 Low



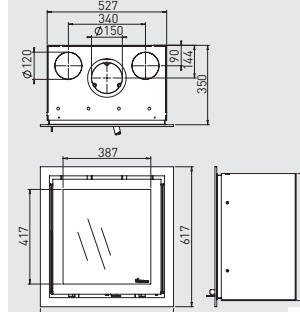
P. 55

Instyle 500 + Classic Line frame 4S



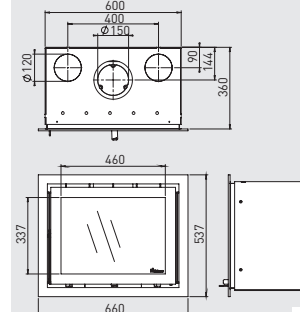
P. 57

Instyle 550 + Classic Line frame 4S



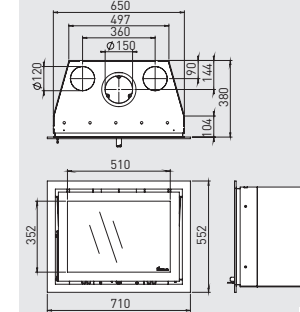
P. 57

Instyle 600 + Classic Line frame 4S

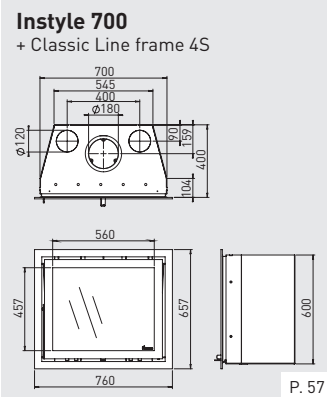


P. 57

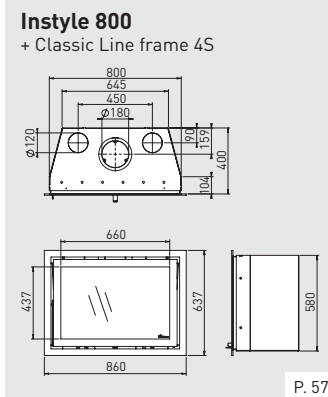
Instyle 650 + Classic Line frame 4S



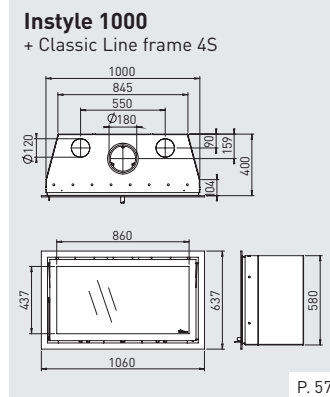
P. 57



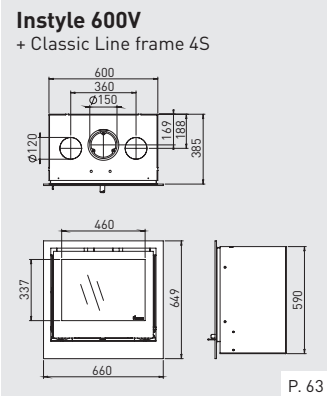
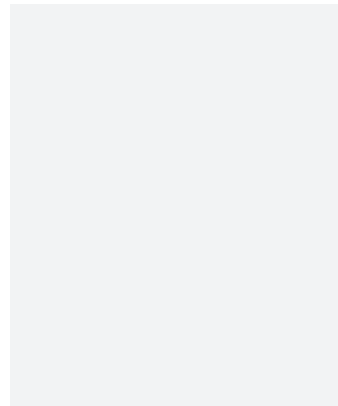
P. 57



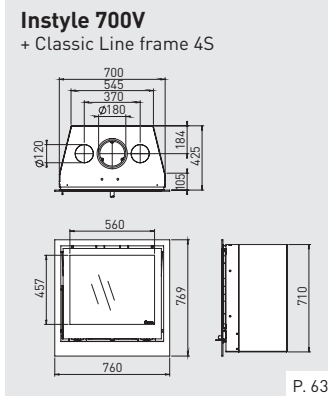
P. 57



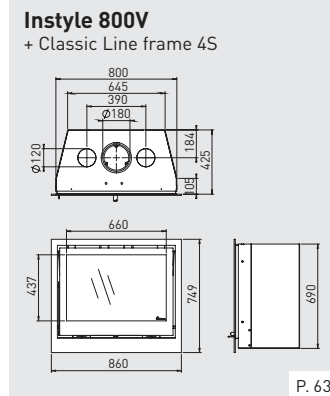
P. 57



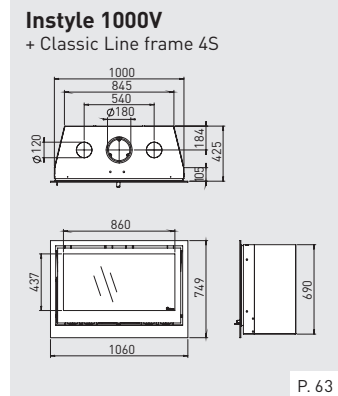
P. 63



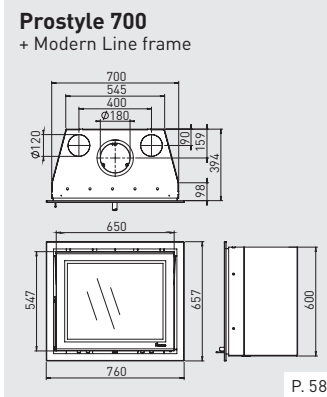
P. 63



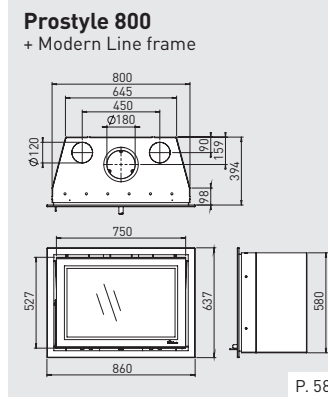
P. 63



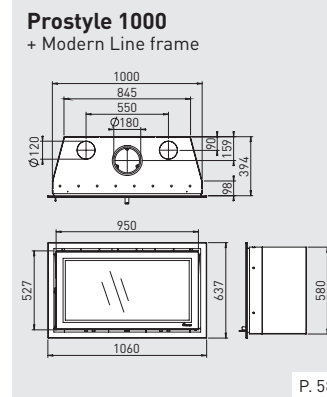
P. 63



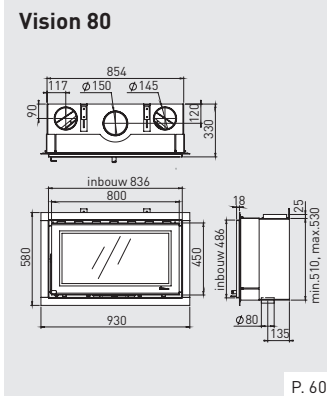
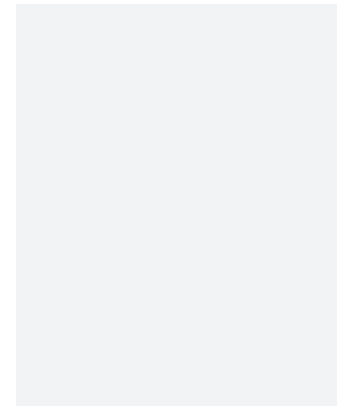
P. 58



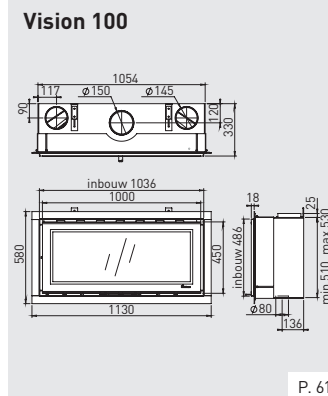
P. 58



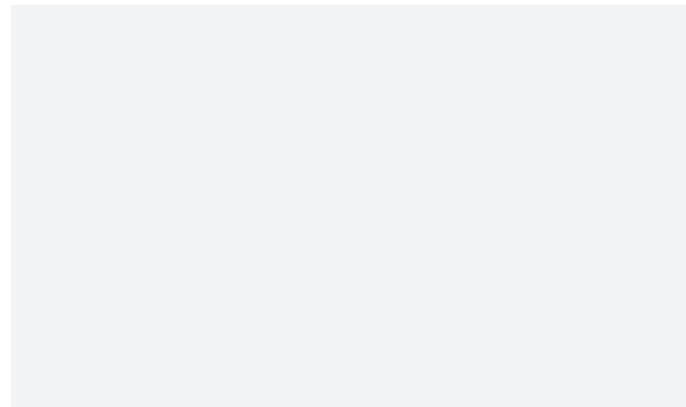
P. 58



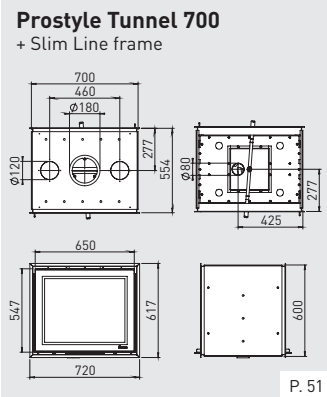
P. 60



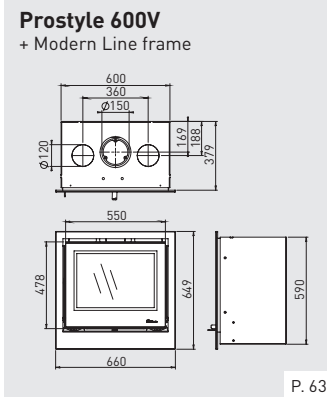
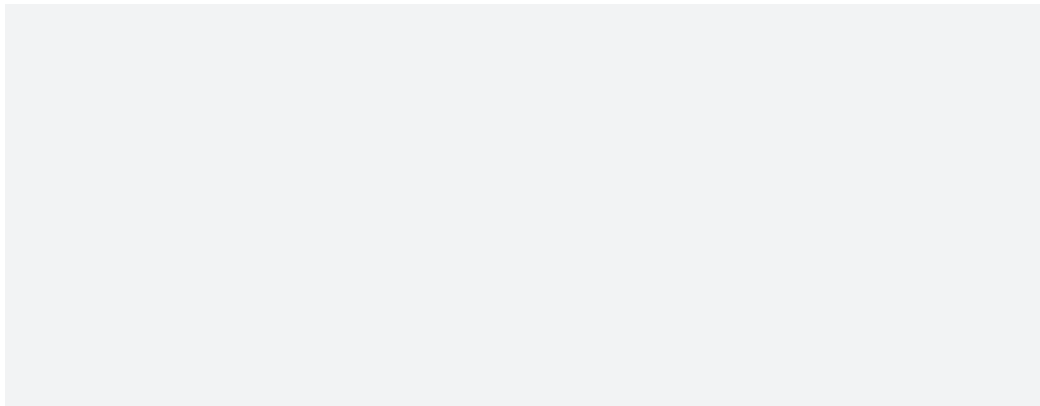
P. 61



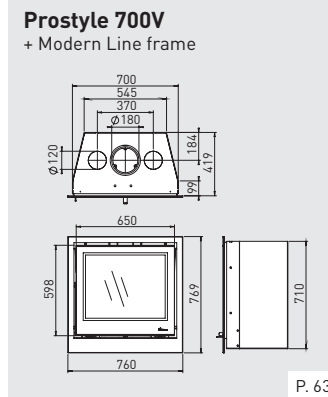
INSERT-/BUILD IN FIRES PROSTYLE



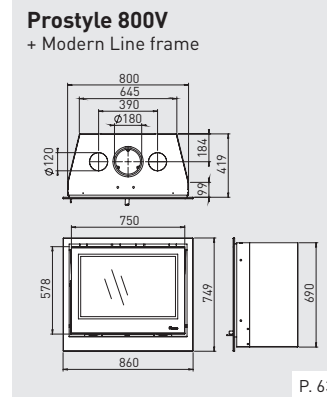
P. 51



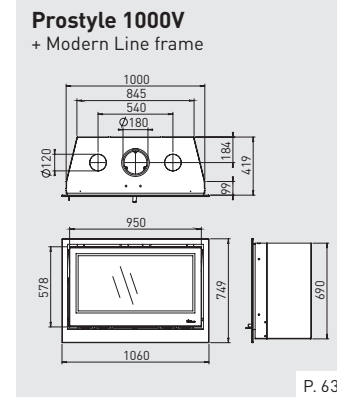
P. 63



P. 63

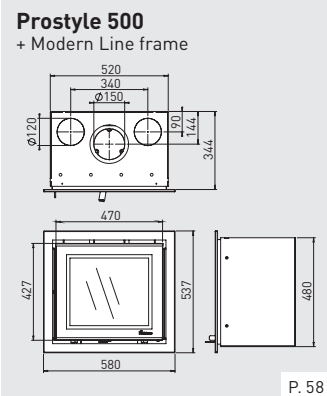


P. 63

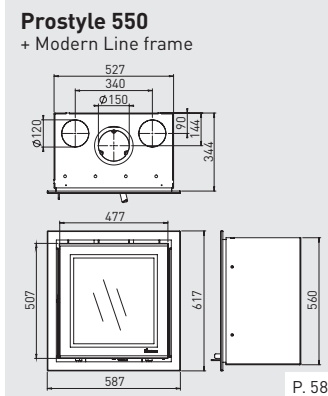


P. 63

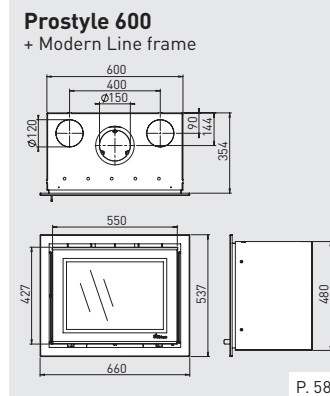
INSERT-/BUILD IN FIRES CONNECTION OPTIONS



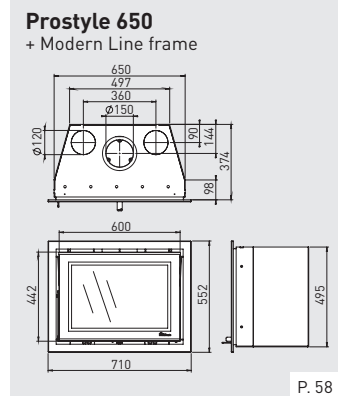
P. 58



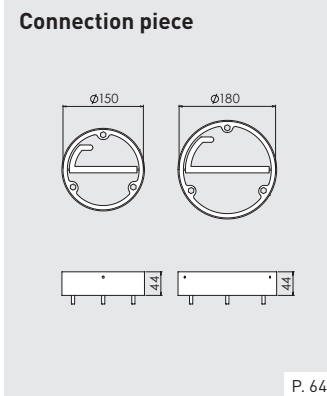
P. 58



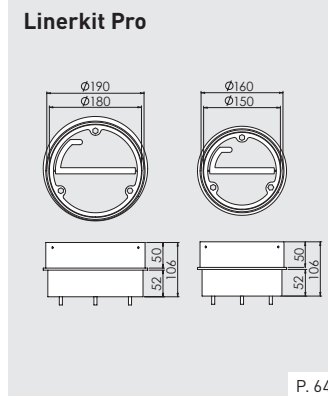
P. 58



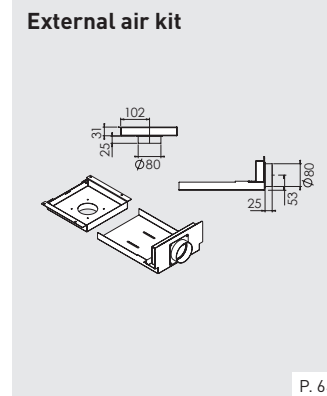
P. 58



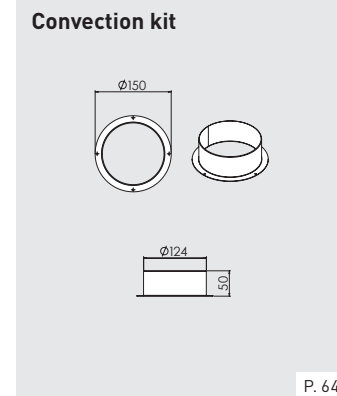
P. 64



P. 64



P. 64



P. 64



Your dealer

 **Dik Geurts**
Creation of flames

DRU Verwarming B.V.
P.O. Box 1021, 6920 BA Duiven
Ratio 8, 6921 RW Duiven
The Netherlands

T. +31 (0)26 - 319 5 319
F. +31 (0)26 - 319 5 348
www.geurts.nl

Drugasar Ltd.
Deans Road, Swinton
Manchester, M27 0JH
United Kingdom

T. +44 (0)161 - 793 8700
F. +44 (0)161 - 727 8057
www.dikgeurts.uk

DRU Belgium
Kontichsesteenweg 69/1
2630 Aartselaar
Belgium

T. +32 (0)3 - 450 7000
F. +32 (0)3 - 450 7009
www.dikgeurts.be

since
1754



BY APPOINTMENT OF
THE COURT OF THE NETHERLANDS



Dik Geurts is a trademark of DRU Verwarming B.V. Subject to changes. The colours in this brochure may vary from the actual products. Nothing in this publication may be used without prior written consent from DRU Verwarming B.V.